

# Weld-On Plate

Model: DH-AP-5/



## Description

The weld-on plate is designed to be permanently welded to existing structures in locations of frequent work, or where use of a portable base is impractical. Compatible with all Miller DuraHoist fall-arrest masts and accessories.

## Materials

<b>General Construction:</b>	Welded Steel
<b>Weld Certification:</b>	AWS-47.1
<b>Material:</b>	HR Plate and Bar
<b>Finish:</b>	Provided in bare steel for welding

## Technical

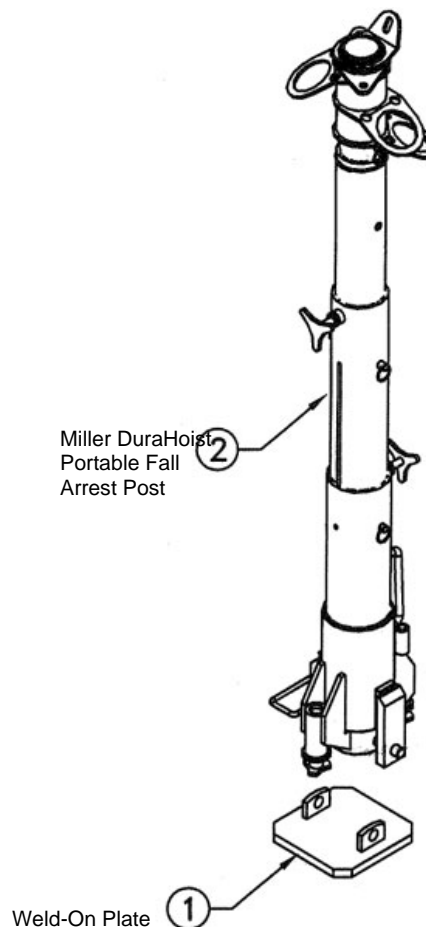
<b>Proof Load Moment:</b>	190,000 in-lbs (20.8 kN-m)
<b>Weight</b>	11.6lbs (5.2kg)

The plate is designed to support the loads required by all portable fall-arrest masts and accessories, when installed and used in accordance with the manufacturers instructions.

## Mounting

### Requirements

<b><u>DH-AP-1/ Portable Fall-Arrest Anchor Post</u></b>	
<b>Moment Requirement:</b>	190,000in-lbs (20.8 kN-m)
<b>Vertical Load Requirement:</b>	3100 lbs (13.8 kN)

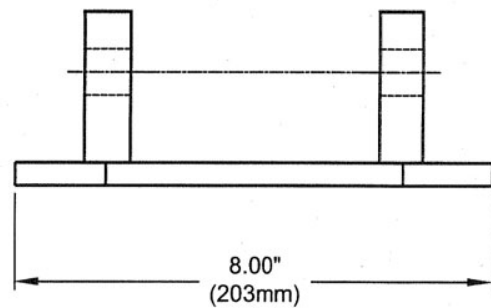
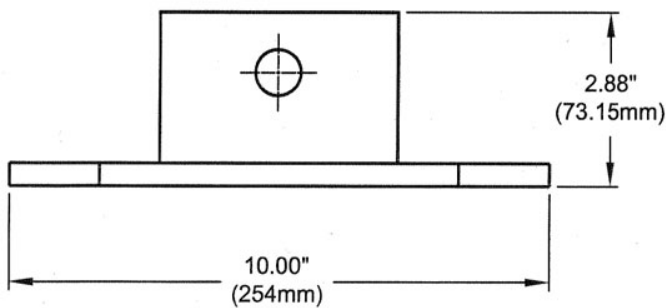
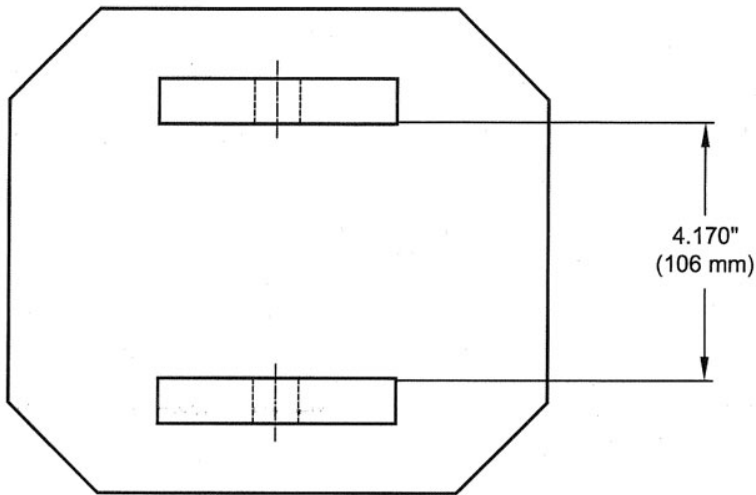


## Application Restrictions

1. This product is designed for use with all Miller DuraHoist portable fall-arrest masts and accessories only.
2. Ratings, capacities and design factor may vary with system components and configurations. Consult specification sheets for all system components to ensure compliance with requirements.
3. Welding procedure must be approved by qualified personnel to be compatible with any and all structural and operational characteristics of the selected installation location.
4. Mounting surface must be within 15° of horizontal for Model DH-AP-1 and plate must be installed so that the portable fall-arrest mast can be leveled for use.
5. Each installation must be approved to local standards by a qualified engineer.

# Weld-On Plate

Model: DH-AP-5/



Toll Free 800-873-5242 • Phone 814.432.2118 • Fax 814.437.2973 • [www.millerfallprotection.com](http://www.millerfallprotection.com)

**WARNING!** THIS DOCUMENT PROVIDES AN OVERVIEW OF FALL PROTECTION PRODUCTS AVAILABLE FROM MILLER FALL PROTECTION AND CARE HAS BEEN TAKEN TO ASSURE THE ACCURACY OF THE DATA. IT DOES NOT PROVIDE IMPORTANT PRODUCT WARNINGS AND INSTRUCTIONS. MILLER FALL PROTECTION RECOMMENDS ALL USERS OF FALL PROTECTION EQUIPMENT UNDERGO THOROUGH TRAINING, AND THAT ALL WARNINGS AND INSTRUCTIONS PROVIDED WITH THE PRODUCTS BE THOROUGHLY READ AND UNDERSTOOD PRIOR TO EACH USE. FAILURE TO READ AND FOLLOW ALL PRODUCT WARNINGS AND INSTRUCTIONS COULD RESULT IN SERIOUS INJURY OR DEATH.